

Bushing Data:

Rated Voltage	550	kV
Phase to-earth Voltage	318	kV
Dry Lightning Impulse	1800	kV
Wet Switching Impulse	1360	kV
Wet Power frequency AC	850	kV
Routine test 1min dry 50Hz	800	kV
Rated Current	2500	A
Creepage Distance	15060	mm
Mass	1920	kg

Ordering Data:

BUSHING COLOUR AIR INSULATOR
 LF121076 -A / -AA BROWN / LIGHT GREY

OUTER TERMINAL

LF170 073-A Al	H2 (mm)	D2 (mm)
LF170 073-B Cu	125	60
LF170 073-G Cu/Ag	125	60
OTHER TYPES ON REQUEST	125	60

END-SHIELD

LF170 046-V EPOXY INSULATED
 LF170 046-VP INSULATED WITH 3 mm PRESSBOARD

DRAW ROD SYSTEM

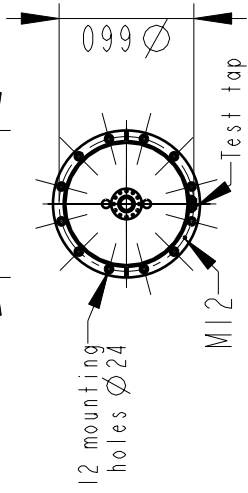
LF170 059 LOWER DRAW ROD WITH NI=4 OR NI=6
 LF170 057 UPPER DRAW ROD

INNER TERMINAL

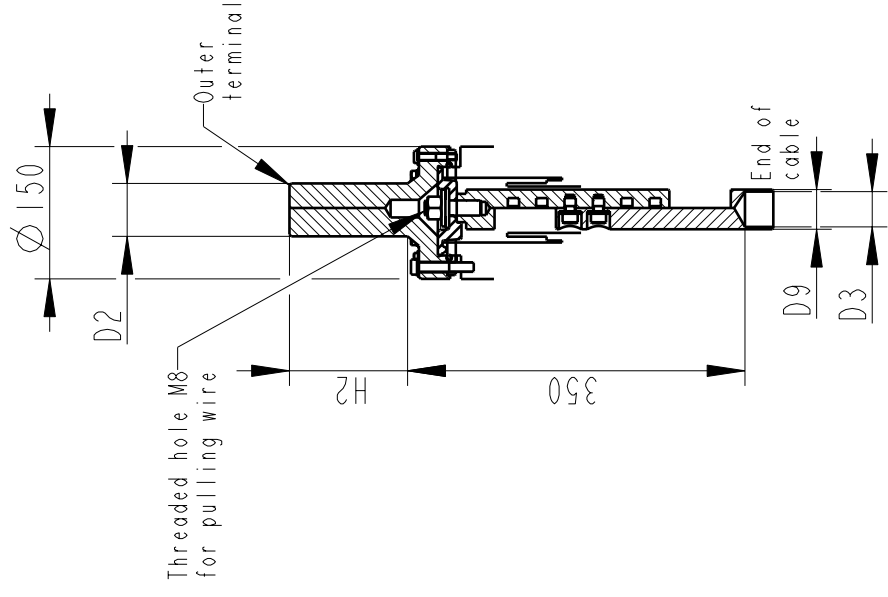
D3 (mm)	D9 (mm)	Cond. area (mm ²)	Current (A)	IEEC
LF170 056-E O*)	45	-	-	-
LF170 056-D	40	600	1600	1360

*) WITH PILOT HOLE D=5

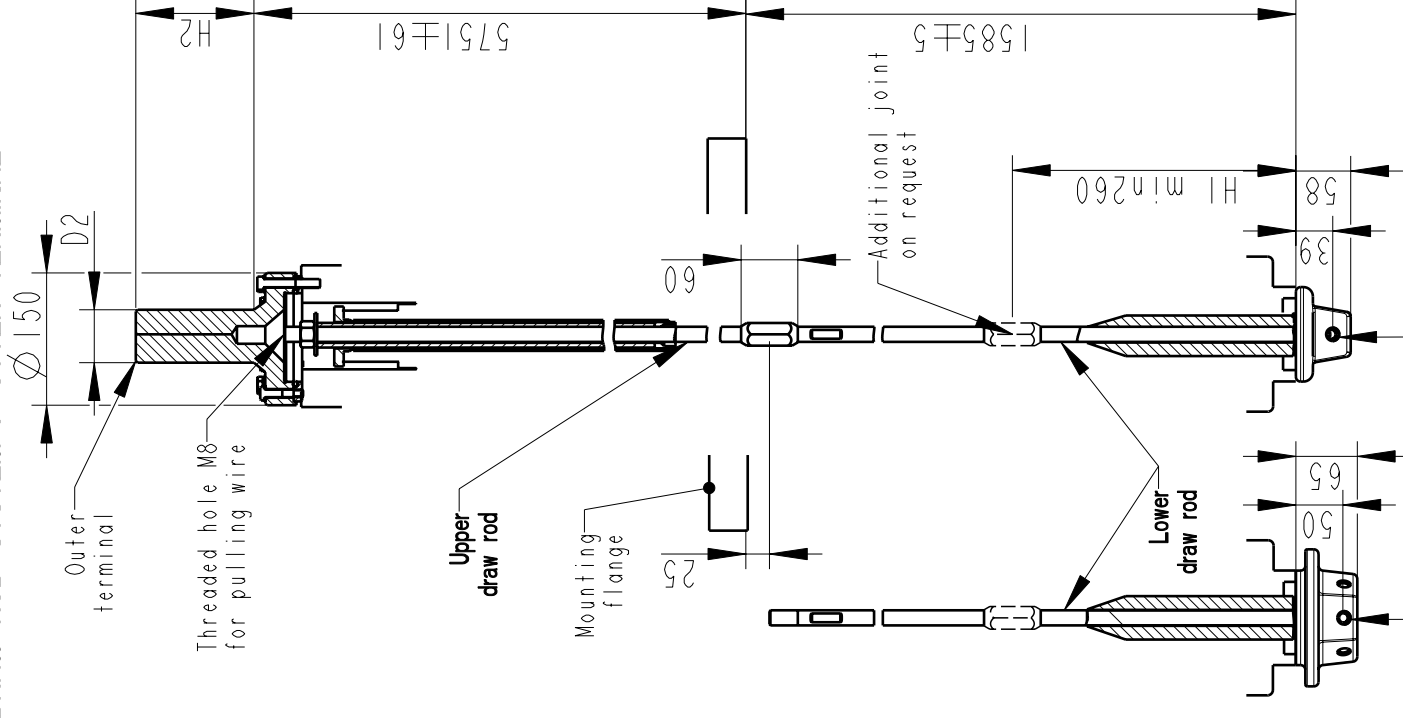
ABB Components		Lutiska, Sweden	
Urdu	No.	kV	A
U	kV	SI	AC
M	kg	L	mm
C1	pf	Tanδ	;
C2	pf	Tanδ	;



INNER TERMINAL / OUTER TERMINAL

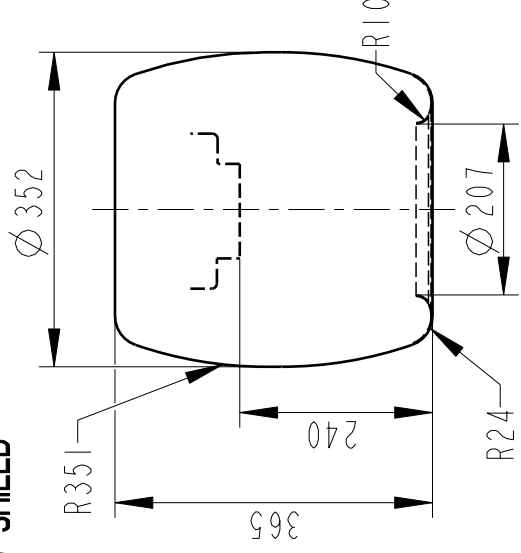


DRAW ROD SYSTEM / OUTER TERMINAL



NI=Number of holes M12, equipped with thread insert with screw lock, depth 20, for cable lugs.

END SHIELD



Based on Reg. No.

Prepared	Responsible department
Lövnord	COM/BK 0025
Approved	Take over department
Johansson	
Design engineering review	Database
Gutman	

Title

GOE-1800-1360-2500-0.6

Language	82
Page	1(1)

ABB ABB Components

Document No. 2751369-105